

- Fig.1 -
Flexible Fence Equipping

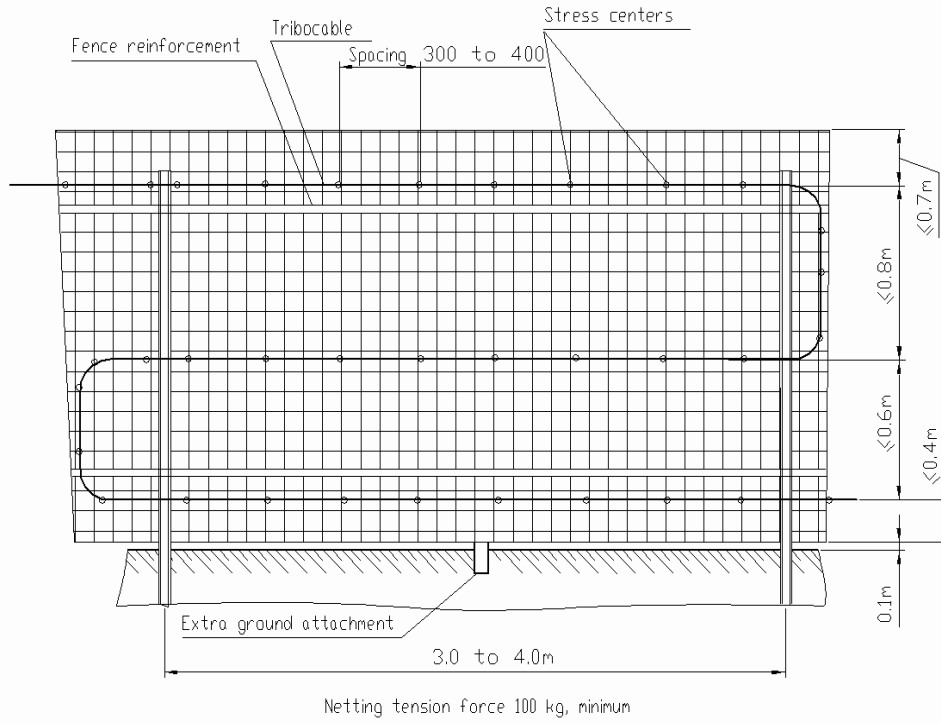


Fig.1a
ССЦП Wire-Netting Fence

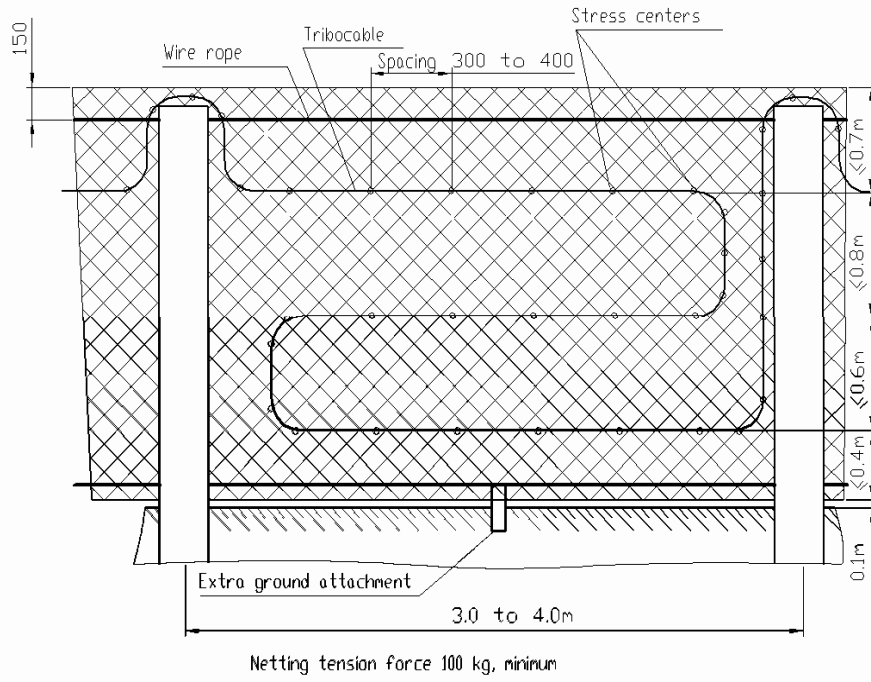


Fig.1b
"Rabitsa" Wire-Netting Fence

- Fig.1 -
Flexible Fence Equipping

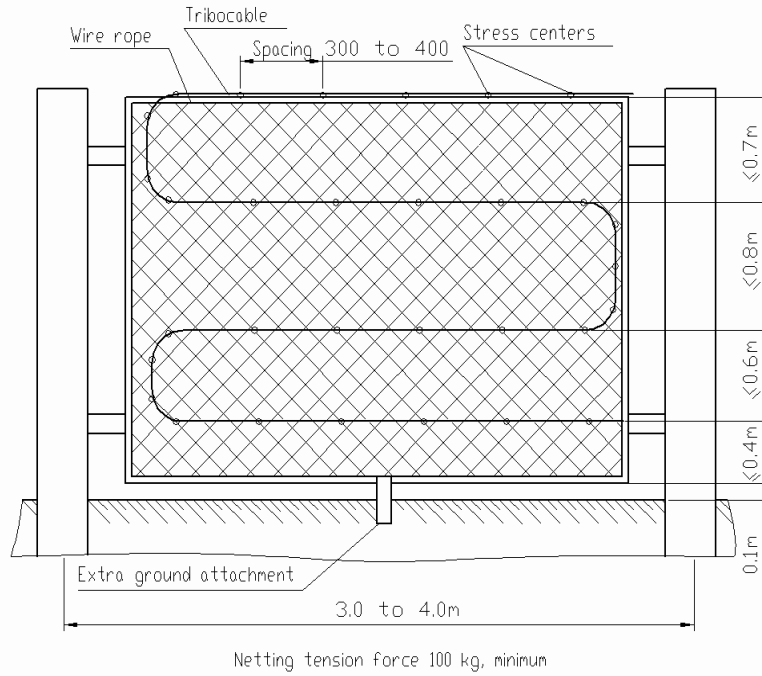


Fig.1c
"Rabitsa" Wire-Netting Fence

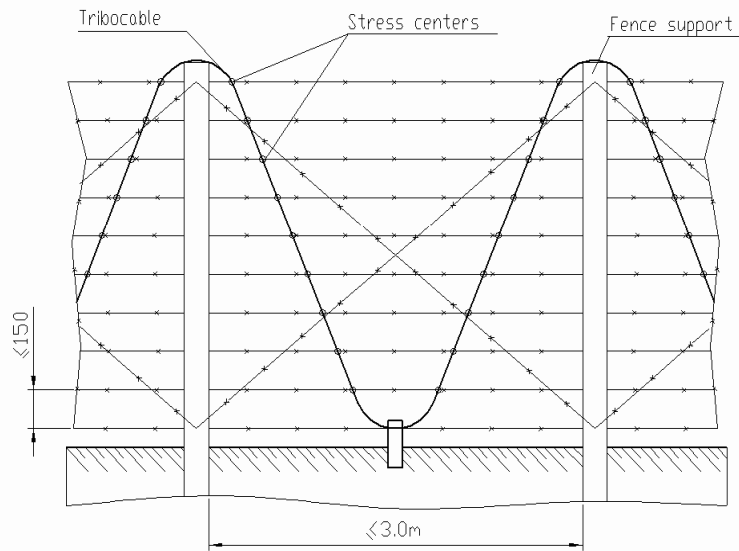
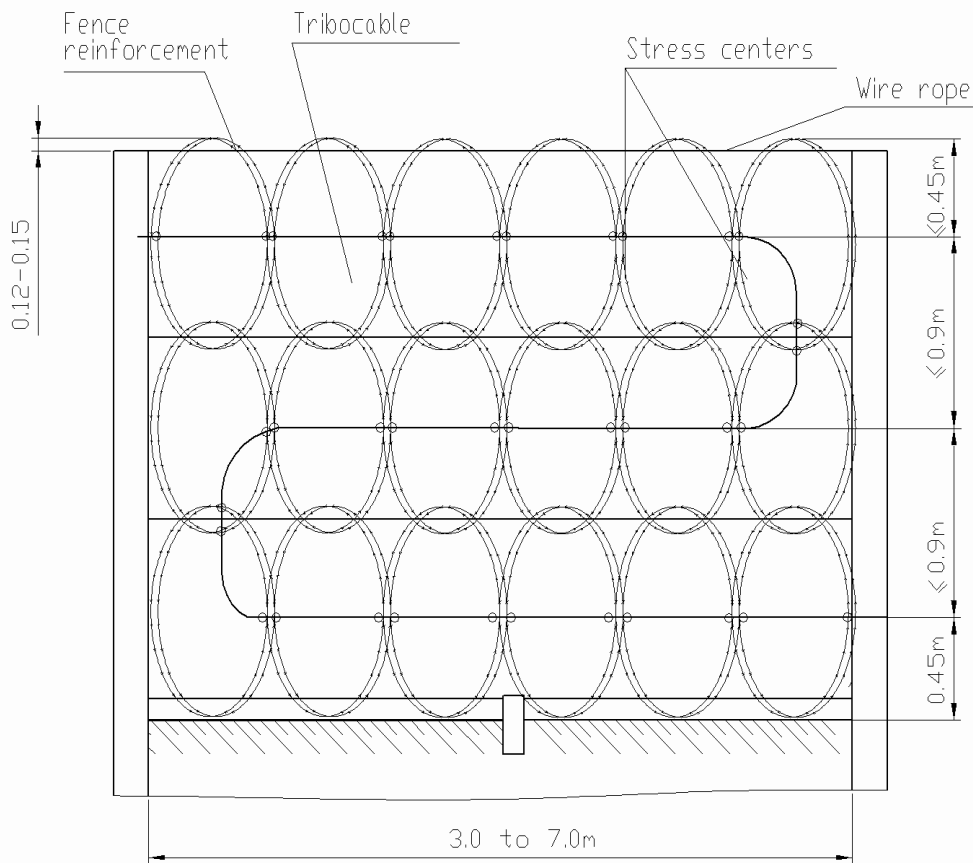


Fig. 1d
Barbed-Wire Fence

- Fig.1 -
Flexible Fence Equipping



Wire rope tension force 200 kg, minimum

Fig.1e
Fence of Reinforced Barbed Tape (AKЛ)

- Fig.2 -
Rigid (Continuous) Fence Equipping

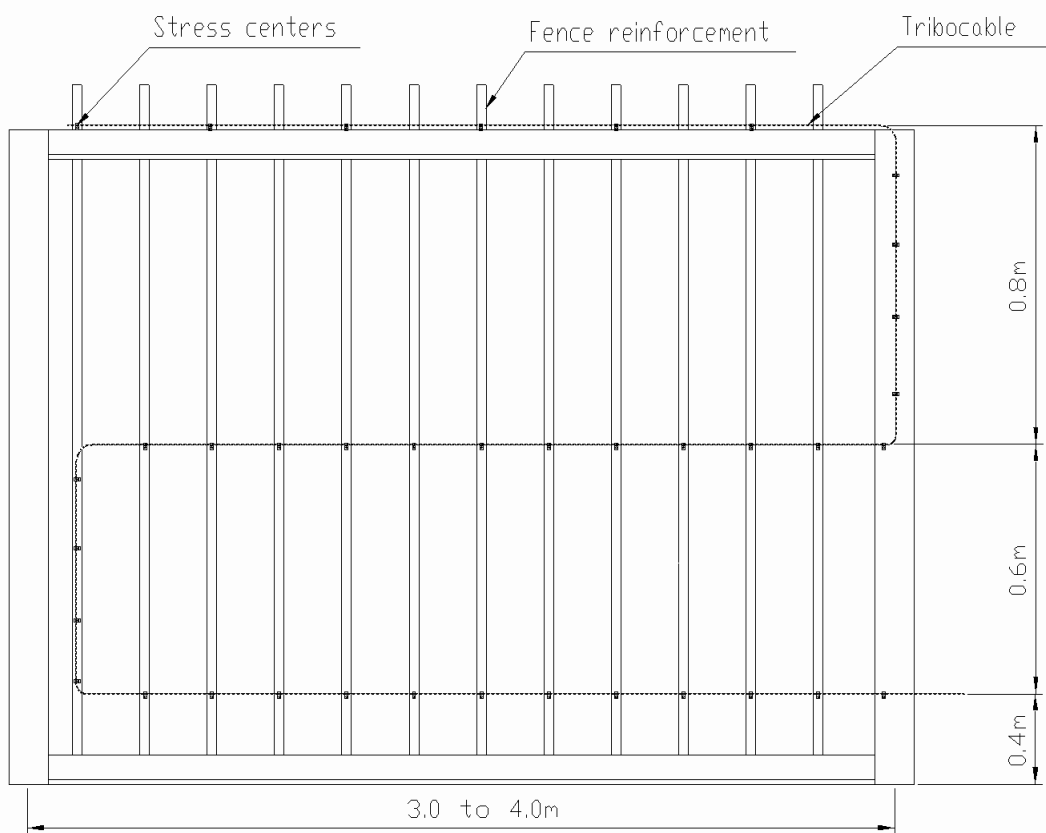


Fig. 2a
Fence of Welded (Forged) Gratings

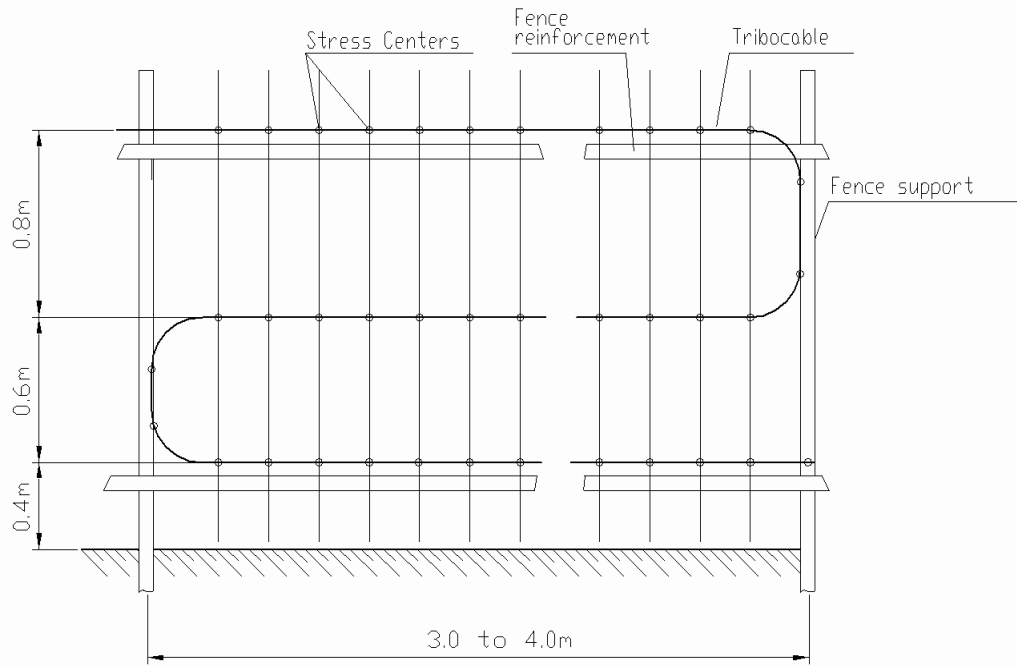


Fig.2a, continued

Fence of Welded (Forged) Gratings

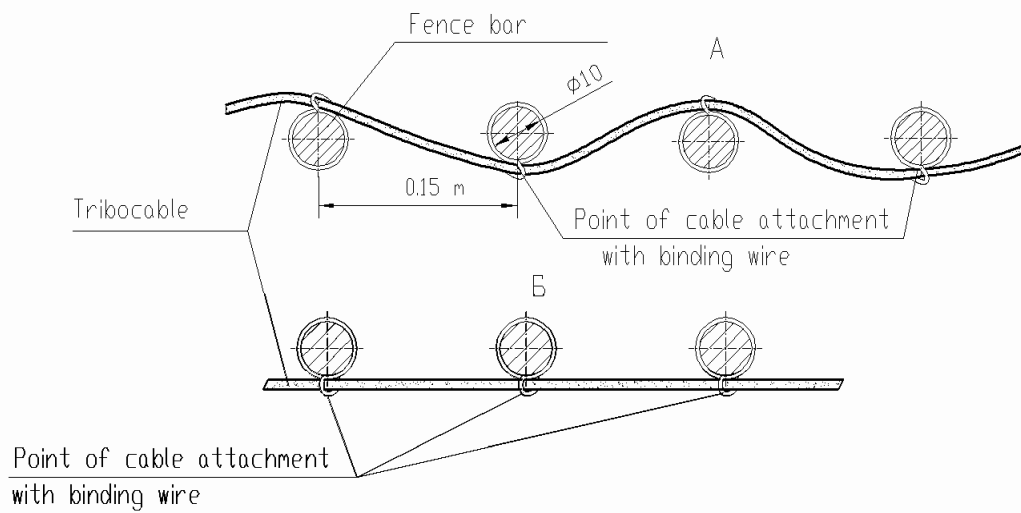


Fig.2a, continued

Fence of Welded (Forged) Gratings

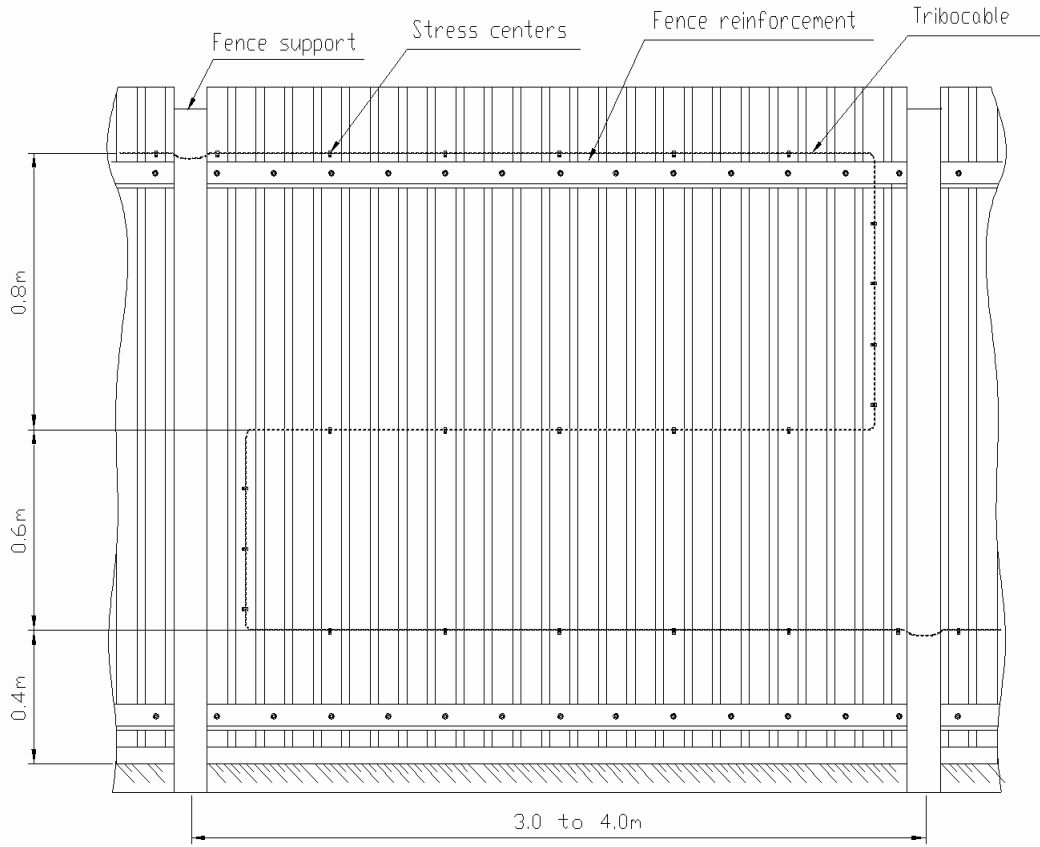


Fig. 2b
Fence of Solid Metal Plates

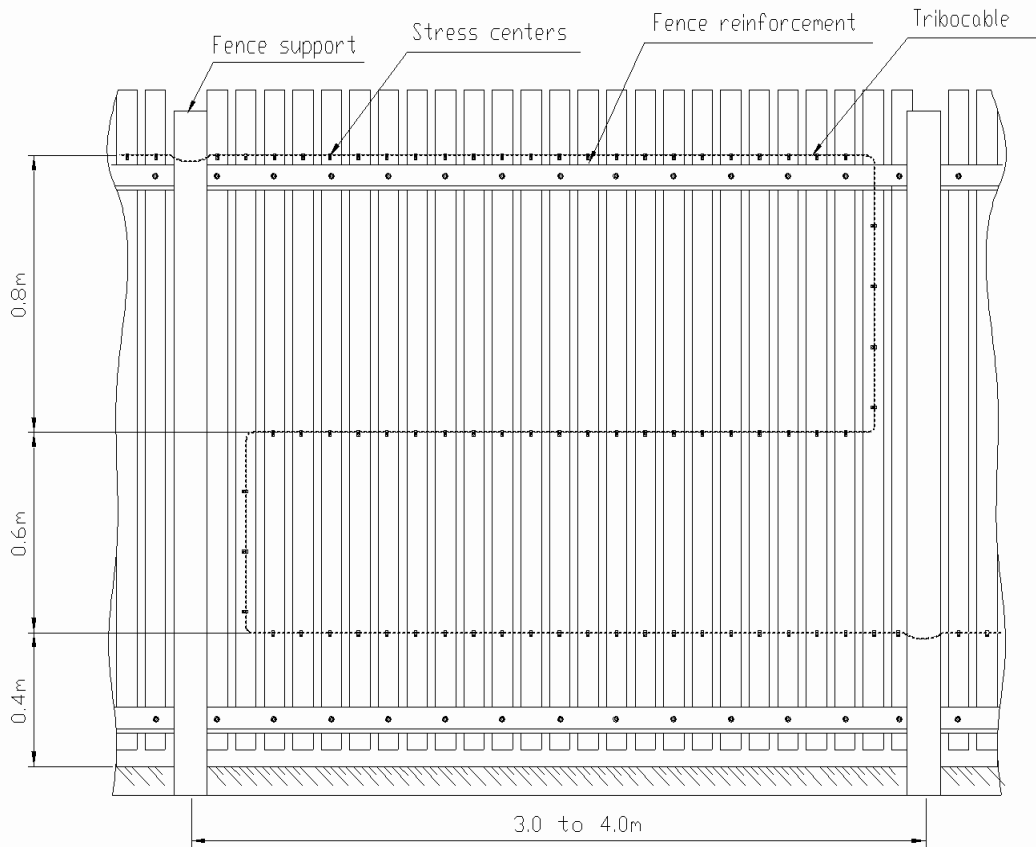


Fig. 2c
Wooden-Material Fence

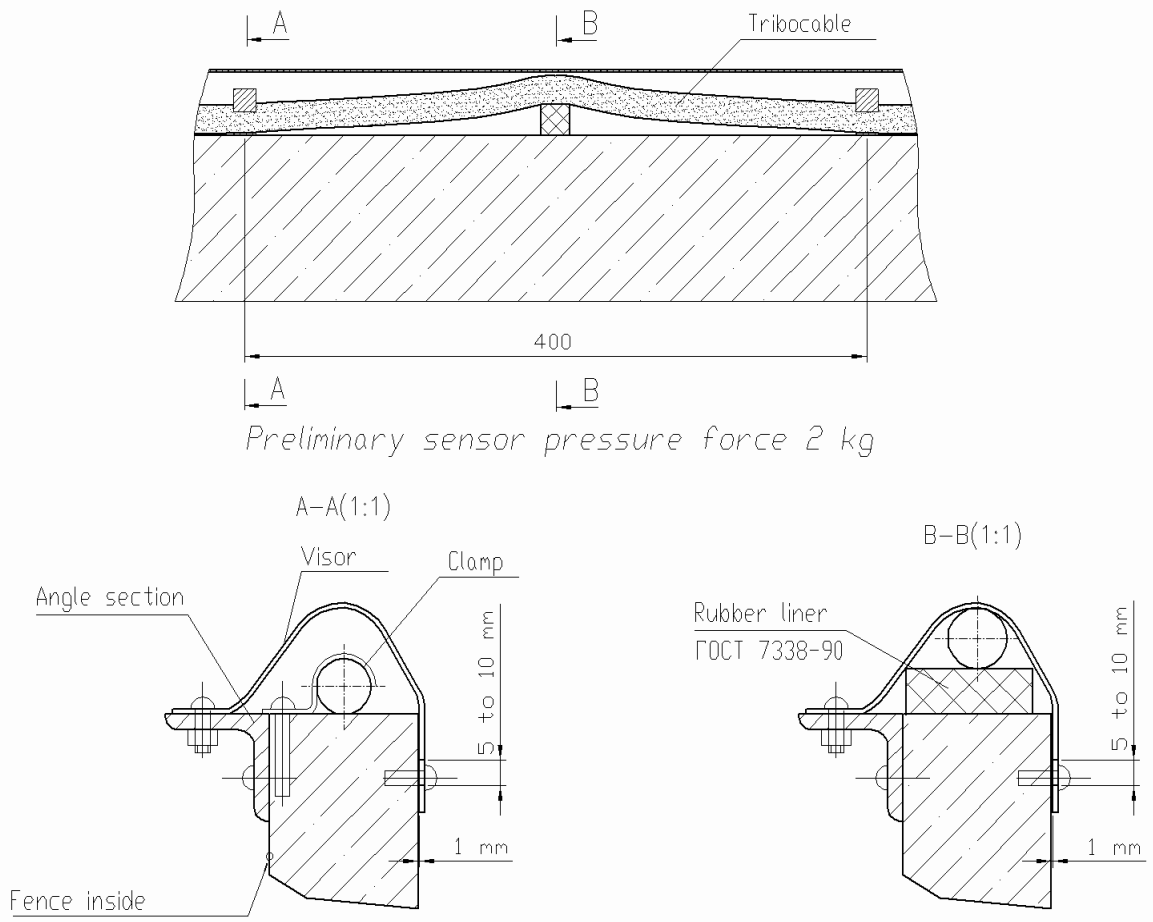


Fig.2d
Fence with Visor

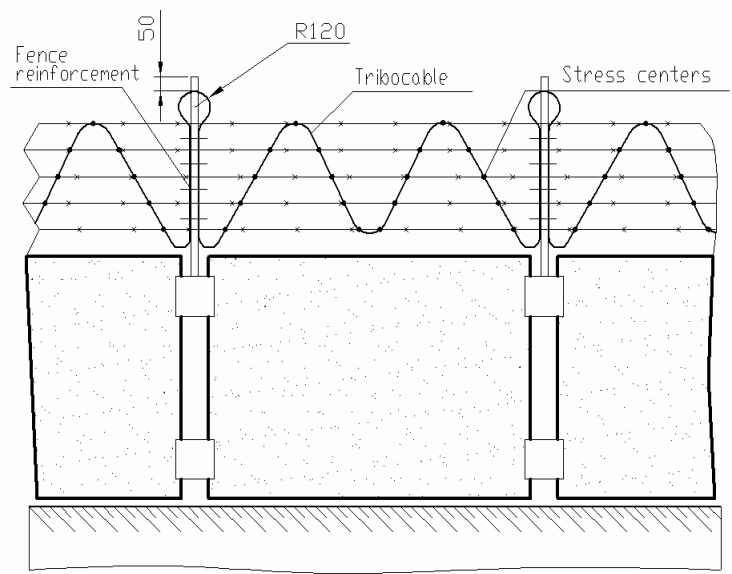


Fig. 2e
Extra Barbed-Wire Fence

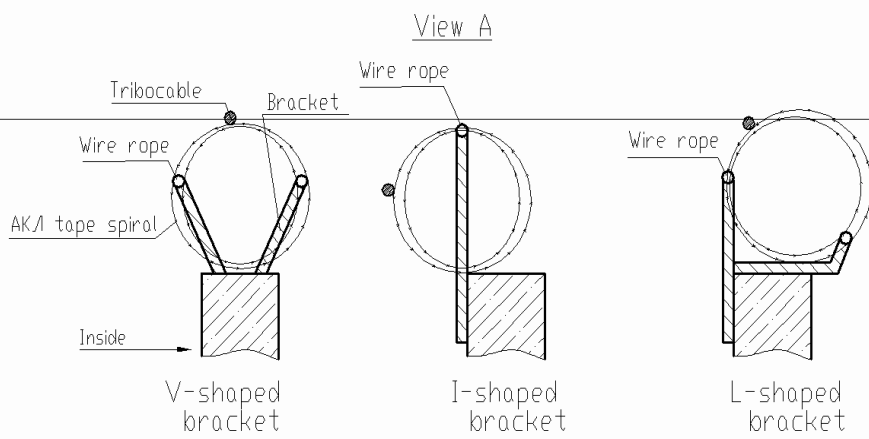
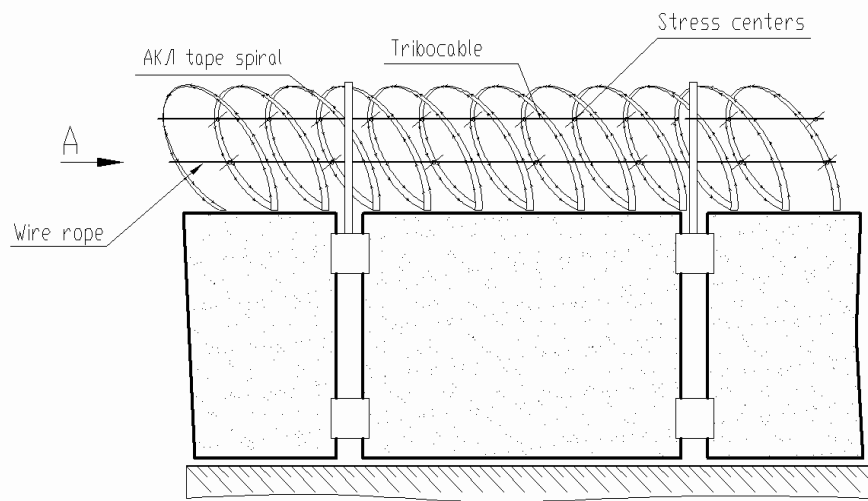
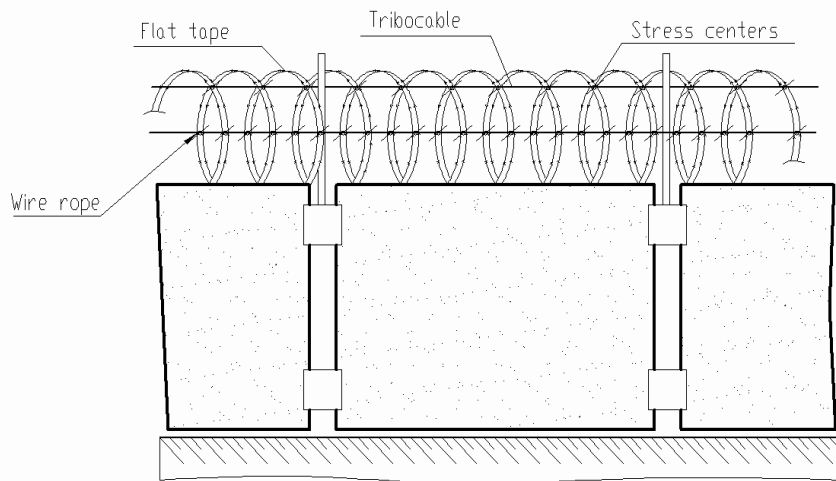


Fig.2e, continued
Extra Fence of Spiral or Flat Barbed Tape

- Fig.3 -
Gate (Wicket) Equipping

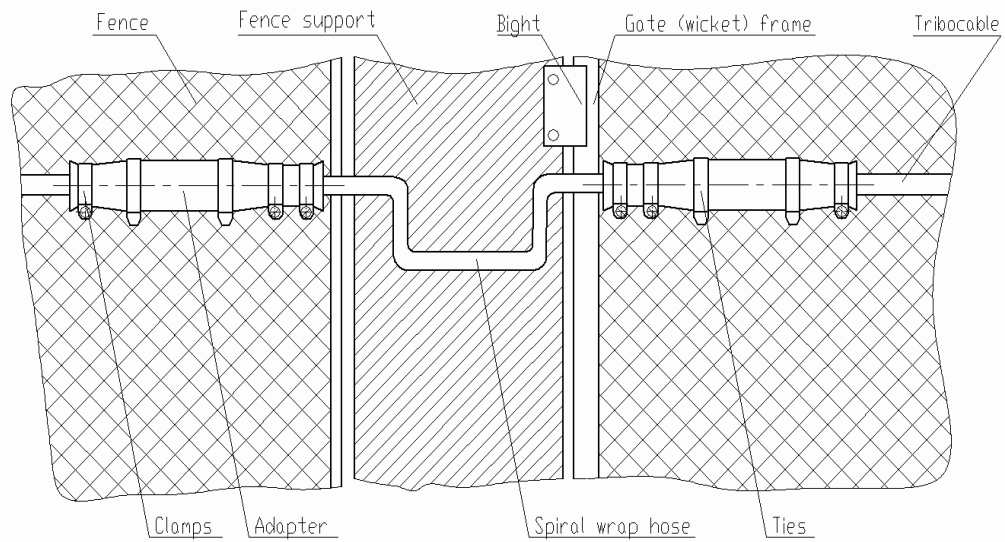
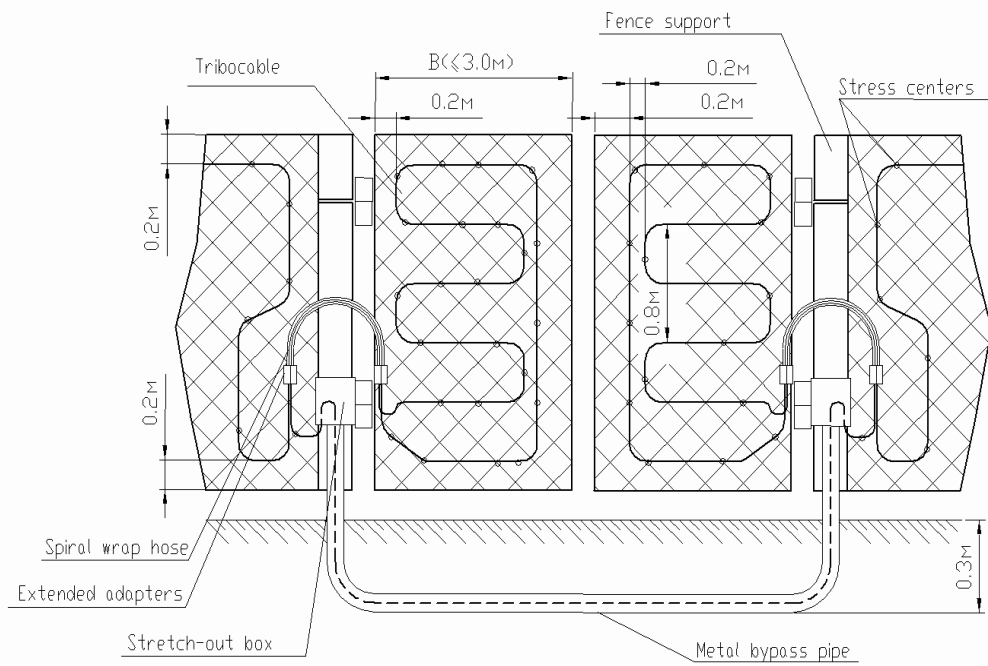


Fig.3a

Spiral Wrap Hose Mounting in Extended Adapter